

PANEL PC 15"

RUGGED PANEL PC



PANEL PC 15" is a fanless touch screen panel dedicated to harsh environments.

The best low power consumption solution for embedded applications which need a high brightness screen and a high powerful computer in a same compact frame.

PANEL PC 15" runs with traditional operating systems as Win8 , Win7, WES8, WES7, WEC7, Linux Kernel 3.x, VxWorks 6.9.3.3, Android KitKat 4.4 (other distribution on demand).

PANEL PC 15" is compatible with night applications with a 0 to 100% dimmable brightness adjustment.

PANEL PC 15" is qualified according to environmental standards MIL-STD810F and MIL-STD461E.

- ◆ Rugged embedded Panel PC
- ◆ Intel Atom E3845 Quad Core 1.91 GHz
- ◆ 2 Intel GbE + 2 USB 3.0 + 1 RS232 + 1 RS485 + audio channel
- ◆ Extension slot for client applications with connectors I/O
- ◆ 15.0" screen, 1024x768 pixels
- ◆ 0 to 100% dimmable
- ◆ Rugged connectors
- ◆ Low Consumption ($\leq 40W$)
- ◆ 5 wires resistive touch screen
- ◆ Climatic & vibration qualification : MIL STD 810F
- ◆ CEM qualification : MIL STD 461E

APPLICATIONS

- Aircraft
- Navy
- Military Vehicles
- Transport / Railway
- Power plants

SPECIFICATIONS*

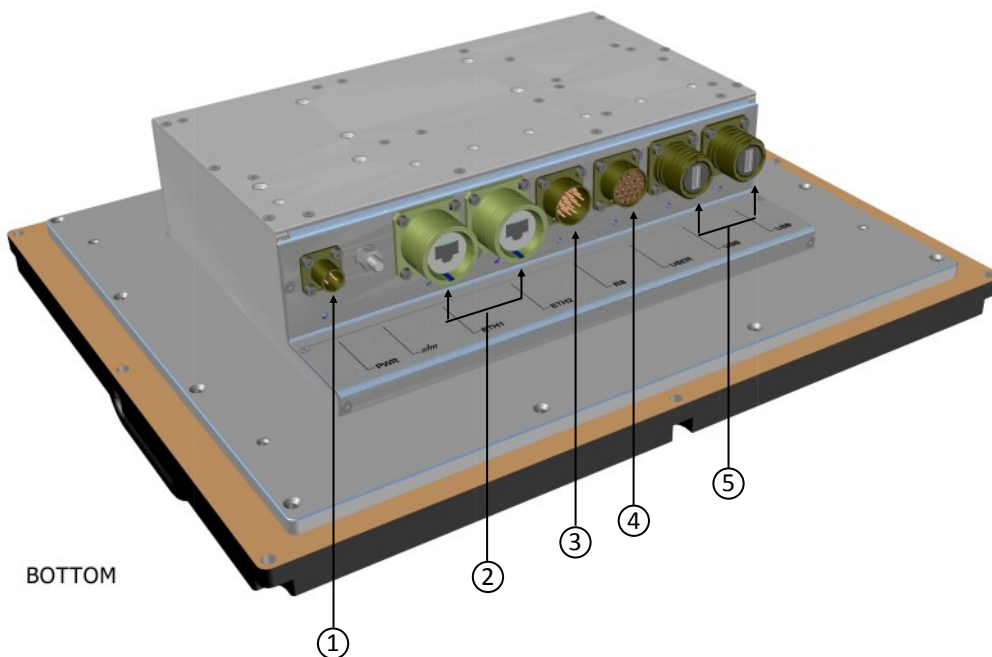
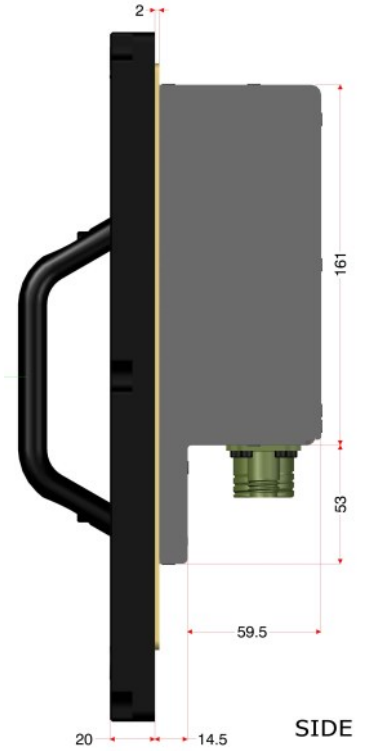
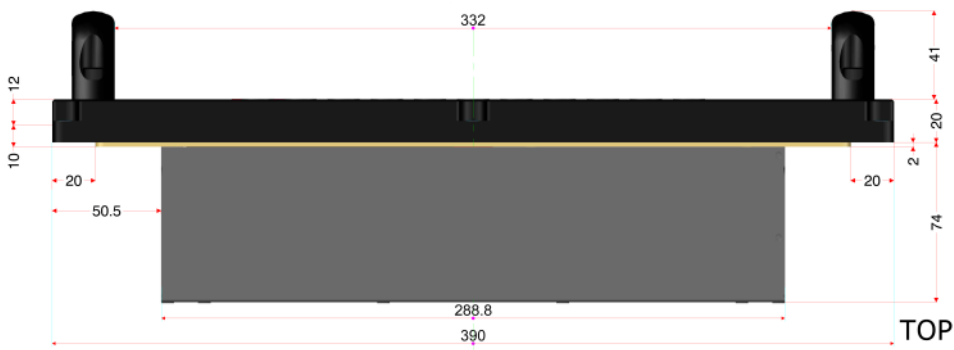
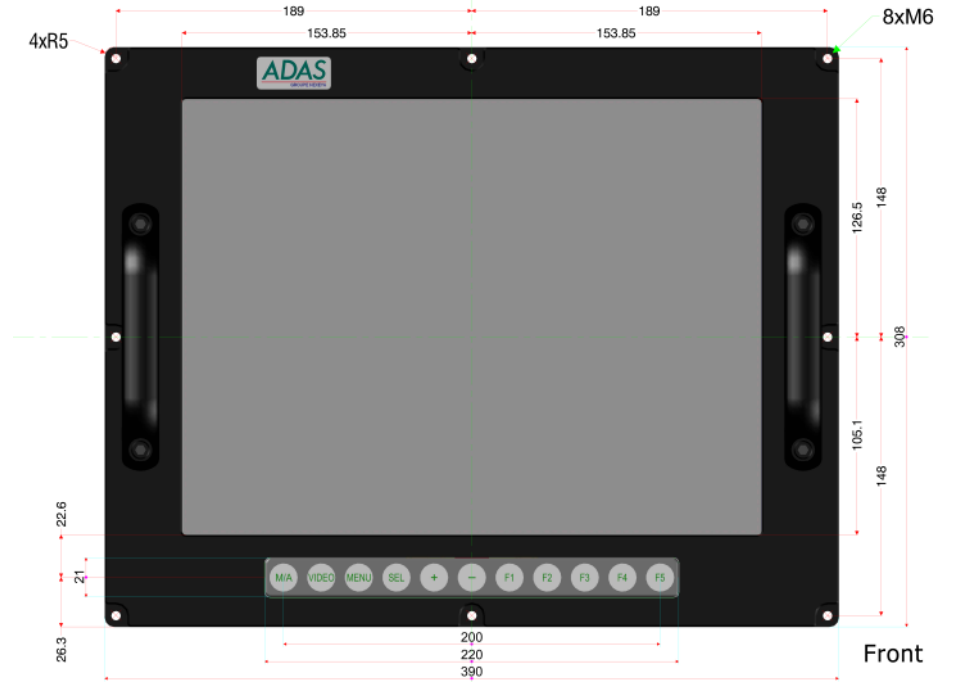
General	
Enclosure	Aluminium
Processor	Intel Atom E3845 Quad Core 1.91 GHz
BIOS	AMI UEFI Bios at 64-Mbit
Memory	8Go DDR3L 1333 MHz
Hard disk drive	16 Go (Flash), up to 64 Go (on request) SSD hard disk drive (on request)
Extension slot	1 x Mini PCIexpress (1 x Full size). Other extension on request.
Ethernet	Intel i210 (Eth1 et Eth2) GbE 10/100/1000 Mbps
Ethernet compatibility	IEEE 802.3az
USB	Compatible 3.0 (480 MB/s), 500 mA per channel
Audio	Intel High Definition Audio Interface, Line In, Line Out and Mic In
Touch solution	5 wires resistive touch screen (driver installed)
External dimensions	390 mm (w) x 308 mm (h) x 94 mm (d) (without handles)
Fixations spacing dimensions	189 +189 mm (w) x 148 + 148 mm (h)
Fixations	8 x M6 screws
Weight	6,5 kg (14.33 Lbs)
Battery	RTC battery 3V / 210 mAh
Power supply	DC: 12 Vdc – 36 Vdc, 40 W max AC: 90 Vac – 264 Vac, 40 W max
Power protection	Reverse polarity for DC voltage. Over voltage and over current Spikes
Operating systems	Win8 , Win7, WES8, WES7, WEC7, Linux Kernel 3.x, VxWorks 6.9.3.3, Android KitKat 4.4 (other distribution on demand)

Display	
Type	Sensitive LCD touch screen display
Screen size (Diagonal)	380 mm (15.0")
Active Area	304.1 (H) x 228.1 mm (V) (4:3 format)
Resolution	1024 (H) x 3 (RGB) x 768 (V)
Luminance	600 cd / m ²
Contrast ratio	600 : 1 (Typical)
Max. color	16.7M
Viewing angle	80° (Up), 80° (Down), 80° (Right), 80° (Left)
backlight life	70000 hours
Connectors	
Power supply (DC/AC)	DC: HE851-02E83AP50 AC: HE851-02E833P50
USB1	USBF TV21
USB2	USBF TV21
Ethernet 1	RJF TV21
Ethernet 2	RJF TV21
RS232/RS485 and audio	HE851-02E1419P50
User	HE851-02E1419S50
Environment	
Operating temperature	-20°C - +70°C
Storage temperature	-30°C - +85°C
High temperature	MIL-STD-810F Method 501.4
Low temperature	MIL-STD-810F Method 502.4
Temperature shock	MIL-STD-810F Method 503.4
Humidity (storage)	95% -non-condensing, MIL-STD-810F Method 507.4
Vibration	MIL-STD-810F Method 514.5
Shock	MIL-STD-810F Method 516.5
Constant acceleration	MIL-STD-810F Method 513.5
Altitude	functional at 70 000 ft, MIL-STD-810F Method 500.4
Waterproof	Font panel IP65 compliant
CEM	MIL-STD-461E (CE101, CE102, RE101, RE102, CS101, CS114, CS115, RS101, RS103)
RoHS	RoHS2

ACCESSORIES	
Plug set (DC/AC versions)	
DC Power supply	DC: HE851-06EC83AS50 AC: HE851-06EC833S50
USB	2 x USBF TV6
Ethernet RJ45	2 x RJF TV6
RS232/RS485 and audio	HE851-06EC1419S50
User	HE851-06EC1419P50
Transport case	Robust water resistant polypropylene case, with pressure equalization valve

**Specifications given for 25°C*

INTEGRATION



REMOTE CONNECTIONS

Example:

1. Power
2. Ethernet
3. Serial
4. User
5. USB

ORDERING INFORMATION

PANEL-PC-15/DC	Rugged panel PC 15", with DC power supply
PANEL-PC-15/AC	Rugged panel PC 15", with AC power supply
PANEL-PC-15-DC/PLUG	Plug set for DC power supply
PANEL-PC-15-DC/PLUG	Plug set for AC power supply
SC-LARGE-TR-CASE	Transport case