

# PANEL PC 15" - I7

## RUGGED PANEL PC



- ◆ Rugged embedded Panel PC
- ◆ 6th generation Intel Core-i7 (U-series)
- ◆ 2 Intel GbE + 2 USB 3.0 + 1 RS232 + 1 RS485 + audio channel
- ◆ Extension slot for client applications with connectors I/O
- ◆ 15.0" screen, 1024x768 pixels
- ◆ 0 to 100% dimmable
- ◆ Rugged connectors
- ◆ Low Consumption ( $\leq 50W$ )
- ◆ 5 wires resistive touch screen
- ◆ Climatic & vibration qualification : MIL STD 810F
- ◆ CEM qualification : MIL STD 461E

### APPLICATIONS

- Aircraft
- Navy
- Military Vehicles
- Transport / Railway
- Power plants

**PANEL PC 15" is a fanless touch screen panel dedicated to harsh environments.**

**The best low power consumption solution for embedded applications which need a high brightness screen and a high powerful computer in a same compact frame.**

**PANEL PC 15" runs with traditional operating systems as Windows Embedded 7 and 8.1, Linux Ubuntu 13.04 (other distribution on demand).**

**PANEL PC 15" is compatible with night applications with a 0 to 100% dimmable brightness adjustment.**

**PANEL PC 15" is qualified according to environmental standards MIL-STD810F and MIL-STD461E.**

## SPECIFICATIONS\*

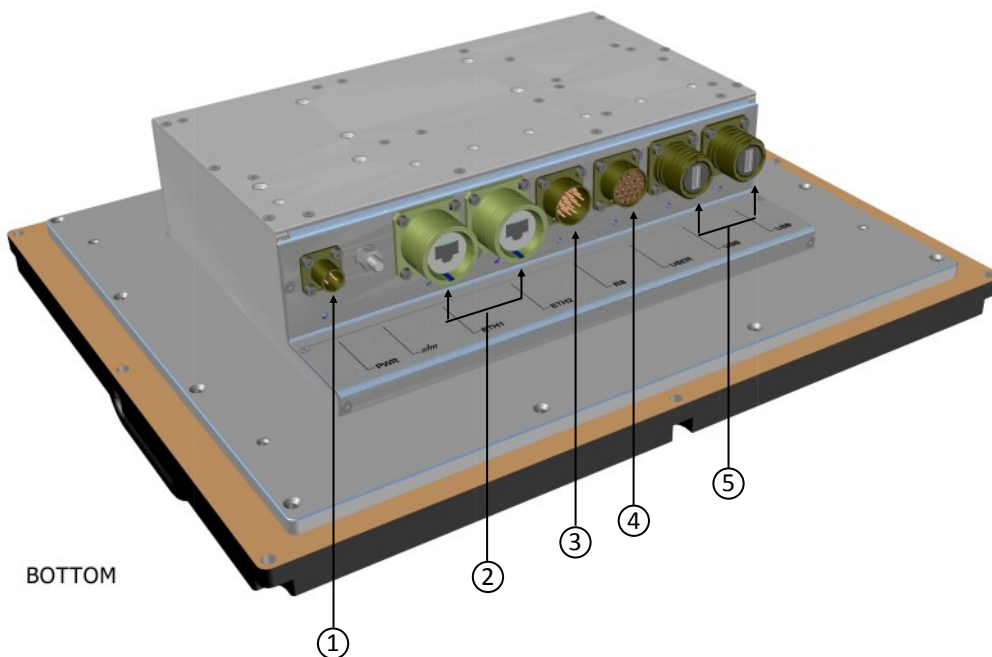
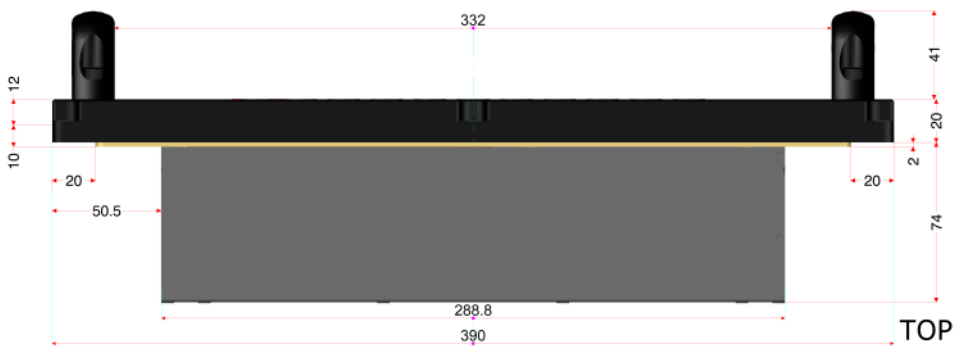
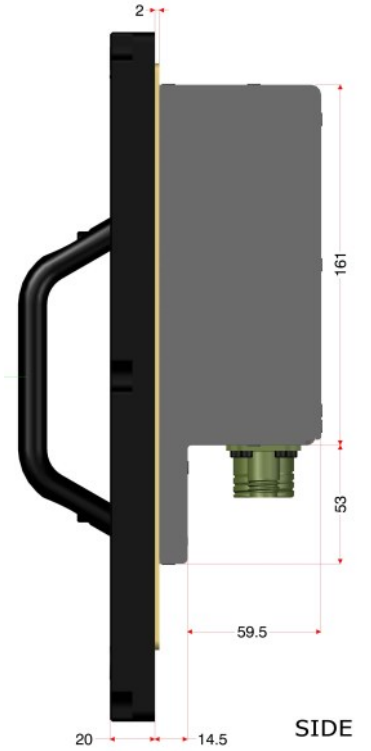
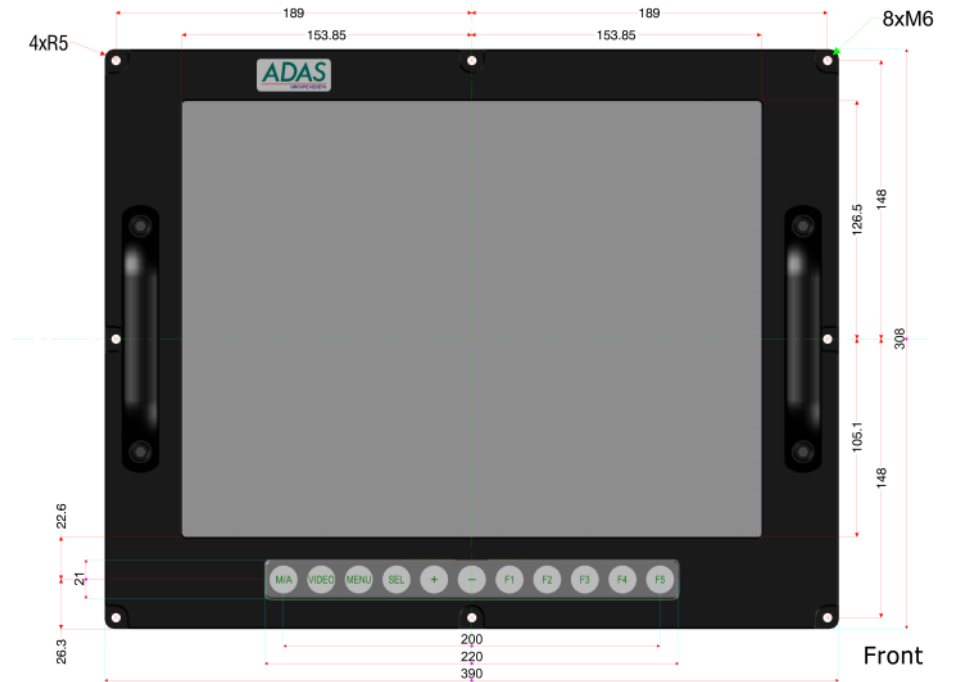
| General                      |  |
|------------------------------|--|
| Enclosure                    | Aluminium  |
| Processor                    | Intel Core-i7 6600U Dual Core 2x2.6 GHz  |
| BIOS                         | AMI UEFI 128-Mbit  |
| Memory                       | 8 GB DDR3L 1600/1333 MHz   |
| Hard disk drive              | 512 Gb on mSata slot   |
| Extension slot               | 1 x Mini PCIexpress Full size  |
| Ethernet                     | GbE1: Intel i219, GbE2: Intel i210,  |
| Ethernet compatibility       | IEEE 802.3, IEEE802.3u and IEEE802.3ab   |
| USB                          | Compatible 3.0 (480 MB/s), 500 mA per channel                                  |
| Audio                        | High Definition Audio, Line In, Line Out et Mic In                             |
| Touch solution               | 5 wires resistive touch screen (driver installed)                              |
| External dimensions          | 390 mm (w) x 308 mm (h) x 94 mm (d) (without handles)                          |
| Fixations spacing dimensions | 189 +189 mm (w) x 148 + 148 mm (h)   |
| Fixations                    | 8 x M6 screws  |
| Weight                       | 6,5 kg (14.33 Lbs)   |
| Battery                      | Lithium 3V / 210 mAh   |
| Power supply                 | DC: 12 Vdc – 36 Vdc, 50 W max<br>AC: 90 Vac – 264 Vac, 50 W max                |
| Power protection             | Reverse polarity for DC voltage. Over voltage and over current Spikes          |
| Operating systems            | Windows Embedded 7 and 8.1, Linux Ubuntu 13.04 (other distribution on demand). |

| <b>Display</b>         |  |
|------------------------|--|
| Type                   | Sensitive LCD touch screen display   |
| Screen size (Diagonal) | 380 mm (15.0")   |
| Active Area            | 304.1 (H) x 228.1 mm (V) (4:3 format)  |
| Resolution             | 1024 (H) x 3 (RGB) x 768 (V)   |
| Luminance              | 600 cd / m <sup>2</sup>  |
| Contrast ratio         | 600 : 1 (Typical)  |
| Max. color             | 16.7M  |
| Viewing angle          | 80° (Up), 80° (Down), 80° (Right), 80° (Left)                                |
| backlight life         | 70000 hours  |
| <b>Connectors</b>      |  |
| Power supply (DC/AC)   | DC: HE851-02E83AP50<br>AC: HE851-02E833P50                                   |
| USB1                   | USBF TV21  |
| USB2                   | USBF TV21  |
| Ethernet 1             | RJF TV21   |
| Ethernet 2             | RJF TV21   |
| RS232/RS485 and audio  | HE851-02E1419P50   |
| User                   | HE851-02E1419S50   |
| <b>Environment</b>     |  |
| Operating temperature  | -20°C - +60°C  |
| Storage temperature    | -30°C - +85°C  |
| High temperature       | MIL-STD-810F Method 501.4  |
| Low temperature        | MIL-STD-810F Method 502.4  |
| Temperature shock      | MIL-STD-810F Method 503.4  |
| Humidity (storage)     | 95% -non-condensing, MIL-STD-810F Method 507.4                               |
| Vibration              | MIL-STD-810F Method 514.5  |
| Shock                  | MIL-STD-810F Method 516.5  |
| Constant acceleration  | MIL-STD-810F Method 513.5  |
| Altitude               | functional at 70 000 ft, MIL-STD-810F Method 500.4                           |
| Waterproof             | Font panel IP65 compliant  |
| CEM                    | MIL-STD-461E (CE101, CE102, RE101, RE102, CS101, CS114, CS115, RS101, RS103) |
| RoHS                   | RoHS2  |

| <b>ACCESSORIES</b>               |   |
|----------------------------------|---|
| <b>Plug set (DC/AC versions)</b> |   |
| DC Power supply                  | DC: HE851-06EC83AS50<br>AC: HE851-06EC833S50                                |
| USB                              | 2 x USBF TV6  |
| Ethernet RJ45                    | 2 x RJF TV6   |
| RS232/RS485 and audio            | HE851-06EC1419S50   |
| User                             | HE851-06EC1419P50   |
| <b>Transport case</b>            | Robust water resistant polypropylene case, with pressure equalization valve |

*\*Specifications given for 25°C*

# INTEGRATION



## REMOTE CONNECTIONS

Example:

1. Power
2. Ethernet
3. Serial
4. User
5. USB

**ORDERING INFORMATION**

|                     |   |
|---------------------|---|
| PANEL-PC-15/DC-I7   | Rugged panel PC 15", with DC power supply |
| PANEL-PC-15/AC-I7   | Rugged panel PC 15", with AC power supply |
| PANEL-PC-15-DC/PLUG | Plug set for DC power supply              |
| PANEL-PC-15-DC/PLUG | Plug set for AC power supply              |
| SC-LARGE-TR-CASE    | Transport case                            |