

ADISPLAY 19"

MULTI-SOURCE RUGGED VIDEO DISPLAY



ADISPLAY 19" is a touch screen display dedicated to aggressive environments. It can be connected to many video sources such as VGA, DVI-D, CVBS, Y/C and SD/HD/SDI. Selection is commanded remotely or by a front panel switch.

Video source VGA, CVBS and SD/HD/SDI can be duplicated by ADISPLAY 19". This feature is typically useful to insert it in an existing installation and duplicate a display without requiring an additional video output.

ADISPLAY 19" is compatible with night applications with a 0 to 100% dimmable brightness adjustment.

ADISPLAY 19" is qualified according to environmental standards MIL-STD810F and MIL-STD461E.

- ◆ Rugged embedded display
- ◆ WXGA screen, 1280x1024 pixels
- ◆ Video input: VGA, DVI-D, CVBS, Y/C and SDI
- ◆ Analog input: CCIR (PAL) and EIA (NTSC)
- ◆ 38999 rugged connectors
- ◆ 0 to 100% dimmable
- ◆ 5 wires resistive touch screen
- ◆ Long lifetime led backlight (>90 000 hours)
- ◆ Climatic & vibration qualification: MIL STD 810F
- ◆ CEM qualification: MIL STD 461E

APPLICATIONS

- Aircraft
- Navy
- Military Vehicles
- Transport / Railway
- Power plants

SPECIFICATIONS*

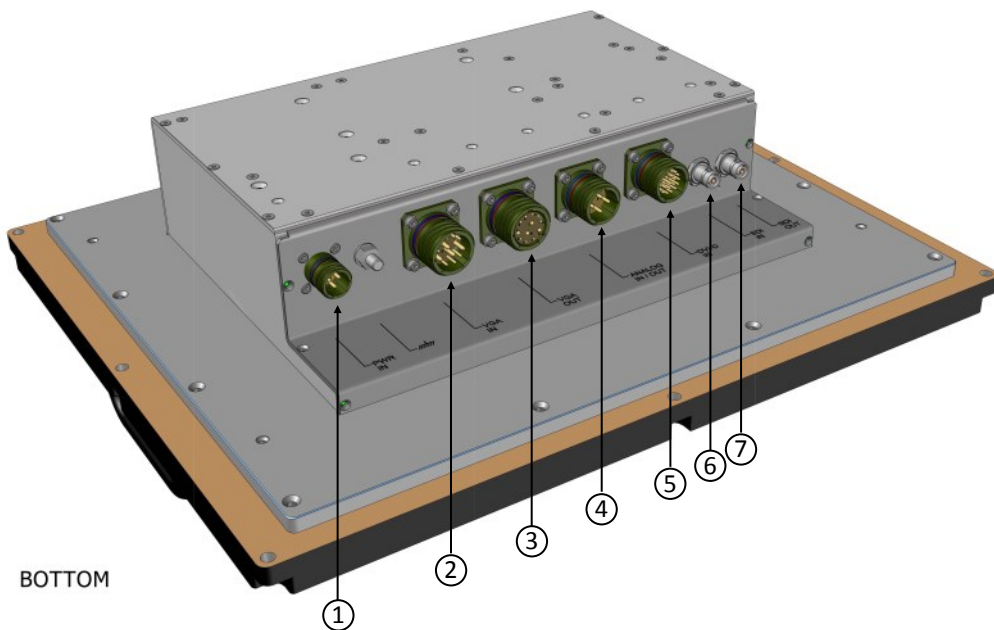
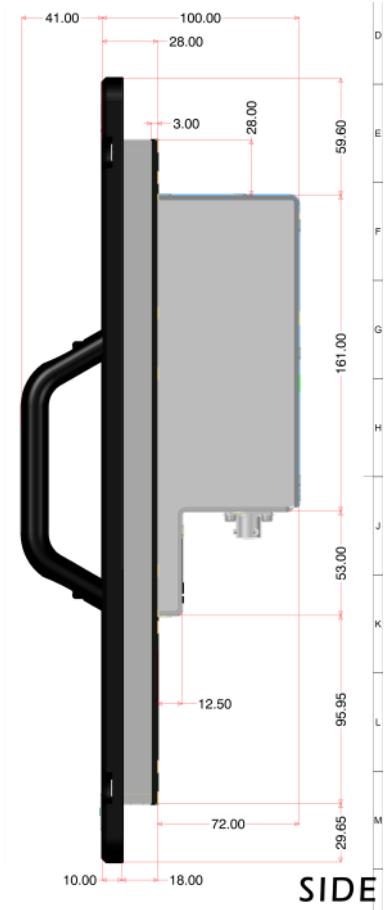
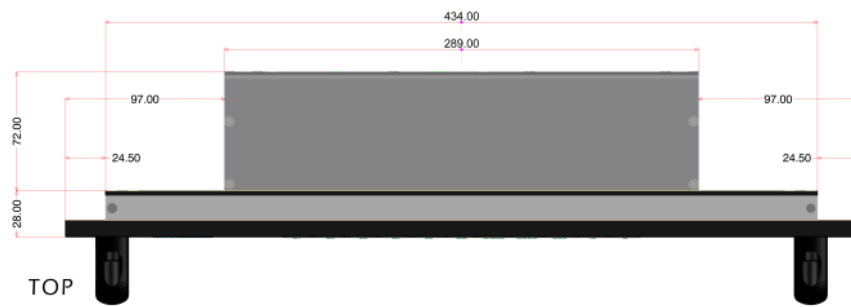
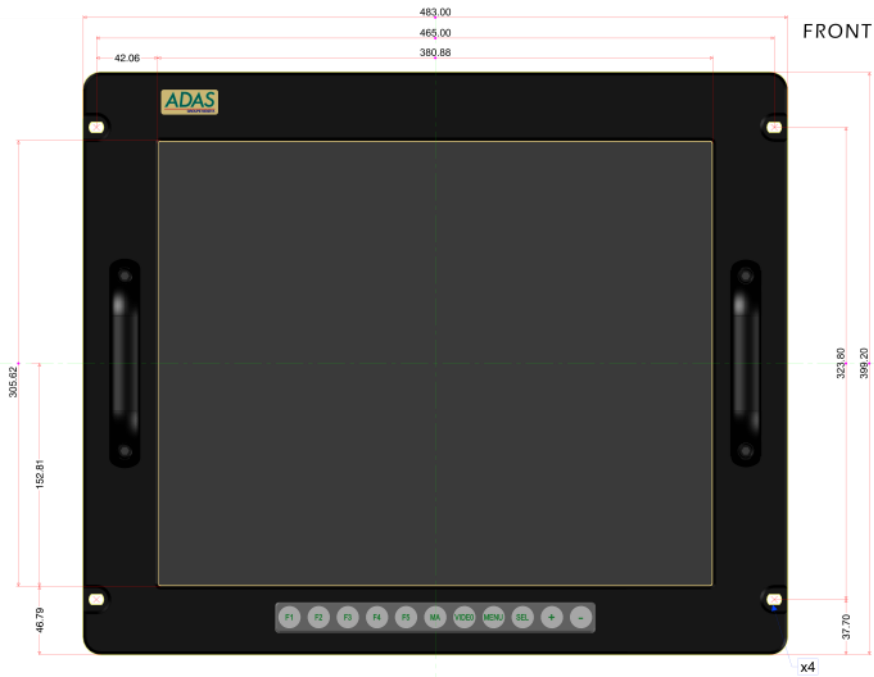
General	
Enclosure	Aluminium
Control	Touch screen display. Resistive optional
External dimensions	483 (w) x 399,2 mm (h) x 100 mm (d) (without handles)
Fixations spacing dimensions	Standard 19" (9HU)
Fixations	4 x M6 screws
Weight	9 kg (19.84 Lbs)
Transport	2 handles on front face
Power supply	DC: 12 Vdc – 36 Vdc, 60 W max. AC: 90 Vac – 264 Vac, 60 W max.
Power protection	Reverse polarity for DC voltage. Over voltage and over current Spikes
Display	
Type	Sensitive LCD touch screen display
Screen size (Diagonal)	480 mm (19.0")
Active Area	376.32 (H) x 301.06 (V) mm (4:3 format)
Resolution	1280 (H) x 3 (RGB) x 1024 (V)
Luminance	800 cd / m ²
Contrast ratio	1000 : 1 (Typical)
Max. color	16.7M
Viewing angle	88° (Up), 88° (Down), 88° (Right), 88° (Left)
backlight life	> 90 000 hours

Video input/output	
Computer inputs	VGA and DVI-D
Computer output	VGA
Analog video inputs	CVBS and Y/C
Analog video output	CVBS
Digital video inputs/outputs	SD/HD/SDI (270 and 1497 Mbits/s)
Compatibility	CCIR (PAL), EIA(NTSC), STANAG 3350 (RS170)
Connectors	
Power supply (DC/AC)	DC: D38999 / 20FA98PN AC: D38999 / 20FA98PA
VGA input	D38999 / 20FD97PN
VGA output	D38999 / 20FD97SN
DVI-D input	D38999 / 20FC35PN
CVBS input /output & Y/C input	D38999 / 20FC04PN
SD/HD/3G SDI input/output	BNC 75Ω
Environment	
Operating temperature	-20°C - +70°C
Storage temperature	-30°C - +85°C
High temperature	MIL-STD-810F Method 501.4
Low temperature	MIL-STD-810F Method 502.4
Temperature shock	MIL-STD-810F Method 503.4
Humidity (storage)	95% -non-condensing, MIL-STD-810F Method 507.4
Vibration	MIL-STD-810F Method 514.5
Shock	MIL-STD-810F Method 516.5
Constant acceleration	MIL-STD-810F Method 513.5
Altitude	functional at 70 000 ft, MIL-STD-810F Method 500.4
Waterproof	Font panel IP65 compliant
CEM	MIL-STD-461E (CE101, CE102, RE101, RE102, CS101, CS114, CS115, RS101, RS103)
RoHS	RoHS2

ACCESSORIES	
Plug set (DC/AC versions)	
Power supply	DC: D38999/26FA98SN AC: D38999/26FA98SA
VGA input	D38999/26FD97SN
VGA output	D38999/26FD97PN
DVI-D input	D38999/26FC35SN
CVBS input /output* & Y/C input	D38999/26FC04SN
Transport case	Robust water resistant polypropylene case, with pressure equalization valve

*Specifications given for 25°C

INTEGRATION



REMOTE CONNECTIONS

- Example:
1. Power supply
 2. VGA input
 3. VGA output
 4. Analog input/output
 5. DVI-D input
 6. SDI input
 7. SDI output

ORDERING INFORMATION

ADISPLAY-19/DC	Multi-source rugged video display 19", with DC power supply
ADISPLAY-19/AC	Multi-source rugged video display 19", with AC power supply
ADISPLAY-19-DC/PLUG	Plug set for DC power supply
ADISPLAY-19-AC/PLUG	Plug set for AC power supply
SC-LARGE-TR-CASE	Transport case