

# ADISPLAY 15"

## MULTI-SOURCE RUGGED VIDEO DISPLAY



**ADISPLAY 15"** is a touch screen display dedicated to aggressive environments. It can be connected to many video sources such as VGA, DVI-D, CVBS, Y/C and SD/HD/SDI. Selection is commanded remotely or by a front panel switch.

Video source VGA, CVBS and SD/HD/SDI can be duplicated by ADISPLAY 15". This feature is typically useful to insert it in an existing installation and duplicate a display without requiring an additional video output.

**ADISPLAY 15"** is compatible with night applications with a 0 to 100% dimmable brightness adjustment.

**ADISPLAY 15"** is qualified according to environmental standards MIL-STD810F and MIL-STD461E.

- ◆ Rugged embedded display
- ◆ 15,0" screen, 1024x768 pixels
- ◆ Video input: VGA, DVI-D, CVBS, Y/C and SDI
- ◆ Analog input: CCIR (PAL) and EIA (NTSC)
- ◆ 38999 rugged connectors
- ◆ 0 to 100% dimmable
- ◆ Low Consumption ( $\leq 40$  W)
- ◆ 5 wires resistive touch screen
- ◆ Long lifetime led backlight (70 000 hours)
- ◆ Climatic & vibration qualification : MIL STD 810F
- ◆ CEM qualification : MIL STD 461E

### APPLICATIONS

- Aircraft
- Navy
- Military Vehicles
- Transport / Railway
- Power plants

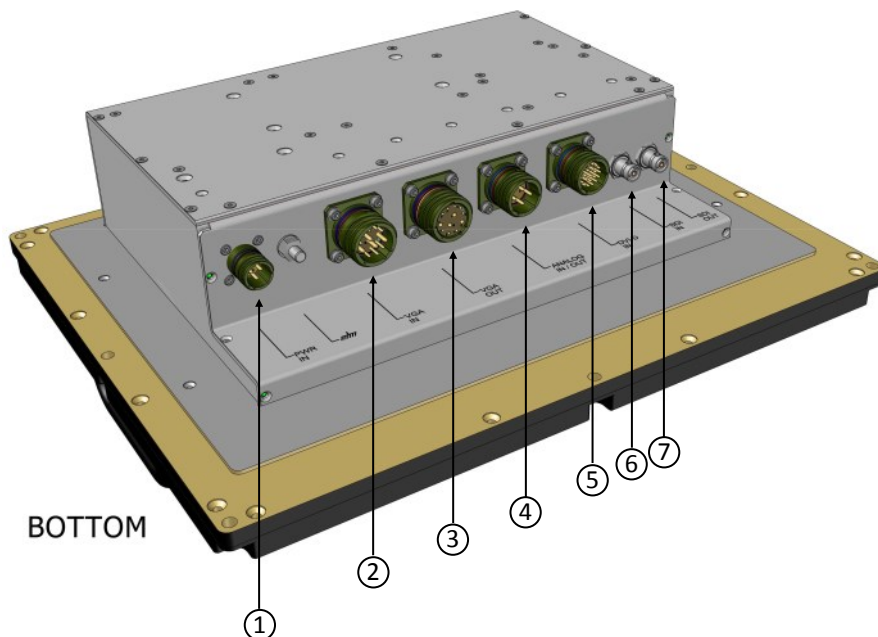
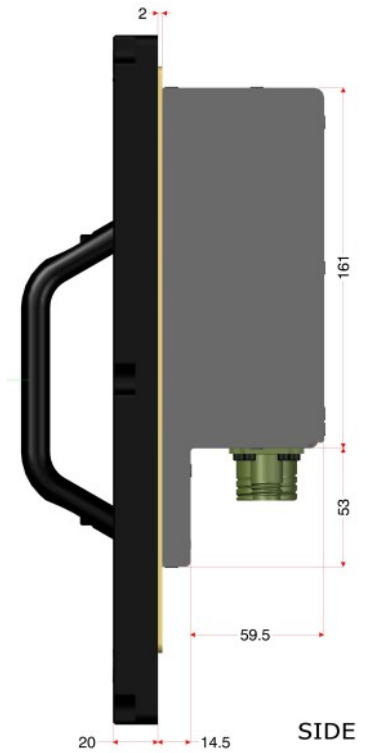
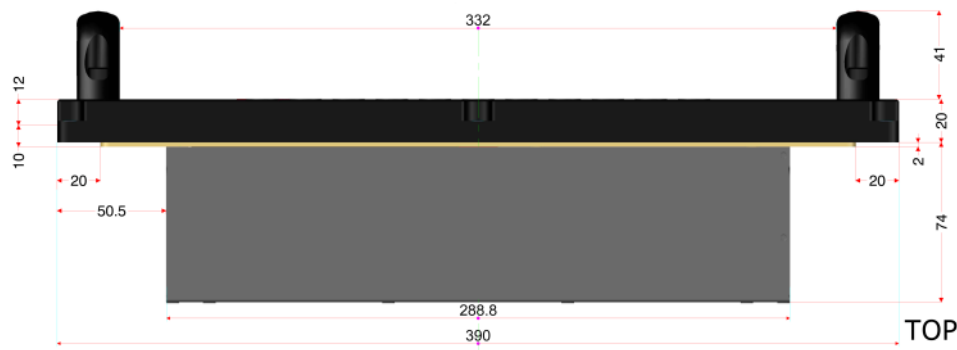
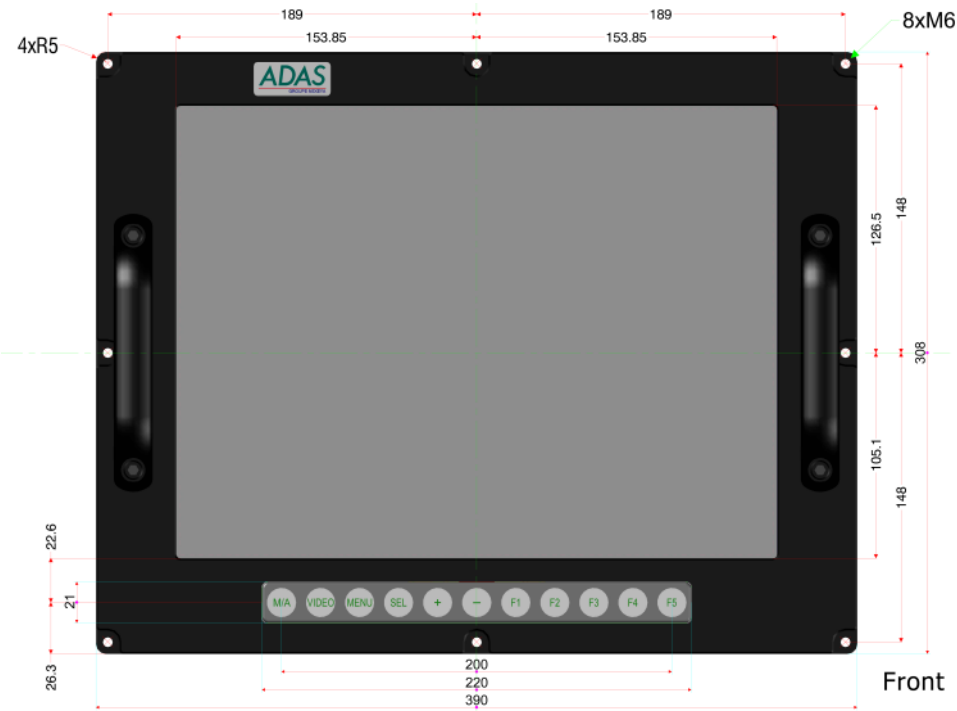
## SPECIFICATIONS\*

General	
Enclosure	Aluminium
Control	Touch screen display. Resistive optional
External dimensions	390 mm (w) x 308 mm (h) x 94 mm (d) (without handles)
Fixations spacing dimensions	189 +189 mm (w) x 148 + 148 mm (h)
Fixations	8 x M6 screws
Weight	6 kg (13.22 Lbs)
Power supply	DC: 12 Vdc – 36 Vdc, 40 W max. AC: 90 Vac – 264 Vac, 40W max.
Power protection	Reverse polarity for DC voltage. Over voltage and over current Spikes
Display	
Type	Sensitive LCD touch screen display
Screen size (Diagonal)	380 mm (15.0")
Active Area	304.1 (H) x 228.1 (V) mm (4:3 format)
Resolution	1024 (H) x 3 (RGB) x 768 (V)
Luminance	600 cd / m <sup>2</sup>
Contrast ratio	600 : 1 (Typical)
Max. color	16.7M
Viewing angle	80° (Up), 80° (Down), 80° (Right), 80° (Left)
backlight life	70000 hours

Video input/output	
Computer inputs	VGA and DVI-D
Computer output	VGA
Analog video inputs	CVBS and Y/C
Analog video output	CVBS
Digital video inputs/outputs	SD/HD/SDI (270 and 1497 Mbits/s)
Compatibility	CCIR (PAL), EIA(NTSC), STANAG 3350 (RS170)
Connectors	
Power supply (DC/AC)	DC: D38999 / 20FA98PN AC: D38999 / 20FA98PA
VGA input	D38999 / 20FD97PN
VGA output	D38999 / 20FD97SN
DVI-D input	D38999 / 20FC35PN
CVBS input/output & Y/C input	D38999 / 20FC04PN
SD/HD/3G SDI input/output	BNC 75Ω
Environment	
Operating temperature	-20°C - +70°C
Storage temperature	-30°C - +85°C
High temperature	MIL-STD-810F Method 501.4
Low temperature	MIL-STD-810F Method 502.4
Temperature shock	MIL-STD-810F Method 503.4
Humidity (storage)	95% -non-condensing, MIL-STD-810F Method 507.4
Vibration	MIL-STD-810F Method 514.5
Shock	MIL-STD-810F Method 516.5
Constant acceleration	MIL-STD-810F Method 513.5
Altitude	functional at 70 000ft, MIL-STD-810F Method 500.4
Waterproof	Font panel IP65 compliant
CEM	MIL-STD-461E (CE101, CE102, RE101, RE102, CS101, CS114, CS115, RS101, RS103)
RoHS	RoHS2
ACCESSORIES	
<b>Plug set (DC/AC versions)</b>	
Power supply	DC: D38999/26FA98SN AC: D38999/26FA98SA
VGA input	D38999/26FD97SN
VGA output	D38999/26FD97PN
DVI-D input	D38999/26FC35SN
CVBS input /output* & Y/C input	D38999/26FC04SN
<b>Transport case</b>	Robust water resistant polypropylene case, with pressure equalization valve

\*Specifications given for 25°C

## INTEGRATION



### REMOTE CONNECTIONS

Example:

1. Power supply
2. VGA input
3. VGA output
4. Analog input/output
5. DVI-D input
6. SDI input
7. SDI output

**ORDERING INFORMATION**

ADISPLAY-15/DC	Multi-source rugged video display 15", with DC power supply
ADISPLAY-15/AC	Multi-source rugged video display 15", with AC power supply
ADISPLAY-15-DC/PLUG	Plug set for DC power supply
ADISPLAY-15-AC/PLUG	Plug set for AC power supply
SC-LARGE-TR-CASE	Transport case